

\Orchestrating a brighter world

**NEC**

Outstanding WUXGA high-resolution LCD projector  
with good usability and high efficiency

ME382U / ME342U



MultiPresenter

**HDMI**<sup>®</sup>  
HIGH-DEFINITION MULTIMEDIA INTERFACE

# Excellent-quality WUXGA high resolution images from a compact LCD projector with easy operation for education and corporate use

## LCD Type projector with WUXGA High Resolution and 4K Input Support

### High Resolution and High Quality Picture of WUXGA (1,920 × 1,200)

This projector can deliver a high quality picture by an amazing WUXGA resolution and achieve high contrast of 16,000:1\*.

\* with Iris

### Support for 4K Input

This is the first NEC projector in the 3,000 lumens class to support 4K at 30 Hz signal input (Supports HDMI 1 and HDMI 2).

## Promotes Ecology and Reduces Total Cost of Ownership (TCO)

### A Long-life Lamp is Provided in the Light Module

The product can be operated at low cost because the light source can be used for a long time of 10,000 hours\* without requiring replacement. (up to 15,000 hours\* with ECO MODE [ECO]). This provides high reliability for education (aimed mainly at K-12) and corporate usage.

\* Refer to the specifications

[ECO MODE]	Description
[OFF]	Lamp brightness is 100%.
[AUTO ECO]	Lamp power consumption will be changed between [OFF] and [NORMAL] automatically according to picture level. NOTE: A bright gradation may be less visible depending on the image.
[NORMAL]	Lamp power consumption: approx. 80% brightness. The lamp life will be extended by lowering the lamp power.
[ECO]	Lamp power consumption: approx. 67% brightness. The lamp life will extend longer than the one on NORMAL mode by controlling power appropriate for the lamp.

### Low Power Consumption in Standby Condition with Energy Saving Technology

Selecting [NORMAL] for [STANDBY MODE] from the menu can put the projector in power-saving mode that consumes only 0.18 W (100–130 V AC) / 0.26 W (200–240 V AC).

### [ECO MODE] for Low Power Consumption and [CARBON METER] Display

This projector is equipped with a [ECO MODE] to reduce power consumption during use. Furthermore, when the [ECO MODE] is on, the power-saving effect is converted into the amount of reduction of CO<sub>2</sub> emissions, and this amount is listed in the confirmation message displayed when the power is turned off and under [ INFO.] on the on-screen menu ([Carbon Meter]).

### Quiet Noise Level in Eco Mode

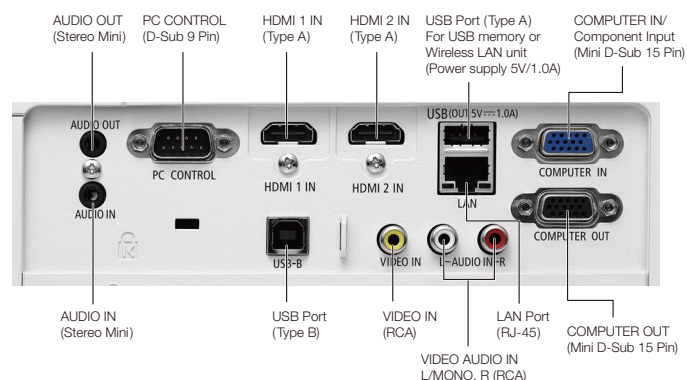
This projector designed for a quiet noise level of 29 dB (in Eco MODE [ECO]) to prevent annoying operation noises in a quiet conference room or classroom during projection.

## Multiple Input Terminals and LAN Control Support

### Wide Range of Input Terminals (HDMI × 2, etc.)

The projector is equipped with a variety of input terminals: HDMI (× 2), computer (analogue), video, etc.

#### Terminals



### Dual HDMI Inputs

Among this projector's wide selection of inputs are dual HDMI with HDCP for connecting to high-definition sources such as Blu-ray players, cable boxes, satellite receivers and personal computers. The HDMI input also supports audio signals.

### Wired / Wireless LAN Control Support

Thanks to the integrated LAN port (RJ-45), you can connect the projector to a wired LAN and control it from a computer. Control can also be carried out via wireless LAN by installing the optional wireless LAN unit (NP05LM series) to this projector.

### USB Display

Using a commercially available USB cable (compatible with USB 2.0 specifications) to connect the computer with the projector allows you to send your computer screen image to the projector without the need of a traditional computer cable (VGA).

## Advanced Networking Capabilities

### Easily Connect with Smart Devices by Installing the MultiPresenter Receiver Function

This projector is compatible with the NEC MultiPresenter application, so multi-screen projection is possible via the network (wired LAN / wireless LAN). The design of the menu of the "Intelligent connection" operation screen is improved, and the customer can change the wall-paper of stand-by screen. The customer can set various settings of network function on this menu.

#### Multi-screen Projection Function \*1

The multi-screen projection function allows for the sharing of screens of multiple devices on various split-screen displays via a wireless or wired LAN. Display information from up to 50<sup>2</sup> PCs, tablet PCs, smart phones, and other network connected devices on a multi-screen display of up to 16 screens. Easily share screens and information regardless of device or operating system.

Intelligent connecting view

Network setting menu

MultiPresenter

Projection of materials of attendees on multi-screen display. Input a 4-digit number (PIN code) for a network connection.

\*1: Requires the optional wireless LAN module for wireless connection. PCs, Smart phones and tablets require the download and installation of our MultiPresenter software.

\*2: The connection of 50 devices to the network requires construction of a wireless LAN environment, such as the use of a separate access point.

Compatible OS

### Network Control

• **NaViSet Administrator 2**  
NaViSet Administrator2 helps you control the projector by a computer via wired LAN connection.



• **CRESTRON ROOMVIEW**

The projector supports CRESTRON ROOMVIEW with emergency function, allowing multiple devices connected to the network to be managed and controlled from a computer or controller.

- PC control
- Alert mail
- AMX BEACON
- PJLink
- HTTP server (projector adjustment)

## Various Functions and Features

### Wide × 1.6 Optical Zoom Lens

This projector has a × 1.6 optical zoom to cover a wide projection distance, so you can set it up in various locations.

### Quick start, Quick Power Off and Direct Power Off

The projector can be put away immediately after the projector is powered down. No cool down period is required after the projector is turned off from the remote control or cabinet control panel. The projector has a feature called "Direct Power Off". This feature allows the projector to be turned off (even when projecting an image) by disconnecting the AC power supply. To turn off the AC power supply when the projector is powered on, use a power strip equipped with a switch and a breaker.

### AUTO POWER ON and AUTO POWER OFF Features

The DIRECT POWER ON, AUTO POWER ON (COMP.), AUTO POWER OFF, and OFF TIMER features eliminate the need to always use the POWER button on the remote control or projector cabinet.

### CONTROL ID

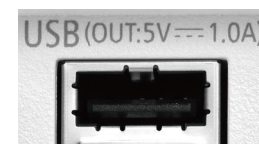
The supplied remote control allows you to assign a CONTROL ID to the projector. Multiple projectors can be operated separately and independently by the same remote control by assigning an ID number to each projector.

### 16 W Built-in Speaker

The powerful 16 watt speaker provides the volume need for class rooms and meeting rooms.

### USB Power Supply of 1.0 A

1.0 A USB current can be provided for third-party dongles such as the wireless one not to plug into an outlet.



### Seamless Switch Function for Smoother Screen Changes when Switching the Signal

When the input source is switched, the image displayed before switching is held so that that the new image can be switched to without a break due to absence of a signal.

### Virtual Remote Tool

Virtual Remote Tool helps you perform operations by a virtual remote control such as switching the projector's power on or off and setting the signal selection via a wired LAN connection. Moreover, it has a function to send an image to the projector and register it as the logo data.



### Preventing Unauthorized Use of the Projector

Enhanced smart security settings for keyword protection, cabinet control panel lock, security slot, and security chain opening help prevent unauthorized access, adjustments and theft.

## Other Useful Functions and Features

- [VIEWER] function to project still images saved on USB storage
- Keystone correction  
+/- 30 degree Horizontal / Vertical keystone, Auto keystone, Cornerstone, Pincushion correction supported
- DICOM simulation
- Wall colour correction

### ME382U

3,800 lumens WUXGA 3.5kg

### ME342U

3,400 lumens WUXGA 3.5kg

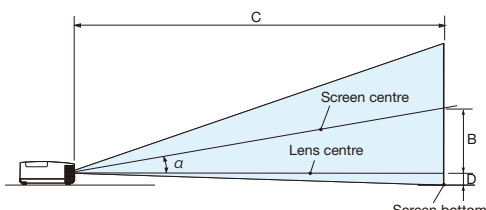


Specifications

Model name	NP-ME382U	NP-ME342U	
Method	Three primary colour liquid crystal shutter projection		
Specifications of main parts			
Liquid crystal panel	Size	0.64 inch LCD with MLA × 3 (aspect ratio: 16:10)	
	Pixels*1	2,304,000 (1,920 dots × 1,200 lines)	
Projection lenses	Zoom	Manual	
	Focus	Manual	
	Zoom ratio	1.6	
	Throw ratio	1.2 to 2.0	
	F-number / focal length	F= 1.5 to 2.08 f= 17.2 mm ~ 27.7 mm	
Lamp wattage*2	225 W		
Lamp life*3	ECO MODE OFF	10,000H	
	ECO MODE NORMAL	12,000H	
	ECO MODE ECO	15,000H	
Light output*4 *5	ECO MODE OFF	3,800 lm	3,400 lm
	ECO MODE NORMAL	Approx. 80%	
	ECO MODE ECO	Approx. 67%	
Contrast ratio*5 (all white / all black)	16,000:1 with Iris		
Image Size (Performance guarantee range)	30 to 300 inches (40 to 200 inches)		
Colour reproducibility	10-bit signal processing, 1.07 billion colours		
Quietness (ECO mode OFF / Normal / ECO)	37 dB / 34 dB / 29 dB		
Synchronization rate	Horizontal	15 to 100 kHz (RGB: 24 kHz or over)	
	Vertical	50 to 120 Hz	
Maximum resolution (horizontal × vertical)	Up to 4K@30 Hz (3,840 × 2,160) with Advanced AccuBlend, Pixel clock frequency: less than 300 MHz		
Keystone Correction	Horizontal	Manual, Approx. ± 30 Max degrees	
	Vertical	Manual, Approx. ± 30 Max degrees	
Input / output connectors			
Computer / Component	Video input	Mini D-Sub 15-pin × 1	
	Video output	Mini D-Sub 15-pin × 1	
	Audio input	Stereo mini jack × 1	
	Audio output	Stereo mini jack × 1	
HDMI	Video input	Type A HDMI connector × 2	
	Audio input	Yes	
Video	Input	RCA × 1	
	Audio input	RCA × 2 (L/R)	
PC control connector	D-Sub 9-pin × 1 (4,800 / 9,600 / 19,200 / 38,400bps)		
USB port	USB type A × 1 for USB Memory or Wireless LAN (5.0 V / 1.0 A power supply), USB type B for USB display × 1		
Wired LAN	RJ-45 × 1 (100Base-TX / 10Base-T)		
Wireless LAN Port (Optional)	USB type A × 1		
Built-in speaker	16 W × 1		
Usage environment	Operating temperature: 5 to 40°C*6, Operating humidity: 20 to 80% (with no condensation)		
	Storage temperature: -10 to 50°C, Storage humidity: 20 to 80% (with no condensation)		
	Operating altitude: 0 to 3,000 m (1,700 to 3,000 m: Set [FAN MODE] to [HIGH ALUTITUDE])		
Power supply	100-240 V AC, 50/60 Hz		
Power consumption	ECO MODE OFF	295 W (100-130 V) / 283 W (200-240 V)	
	ECO MODE NORMAL	238 W (100-130 V) / 232 W (200-240 V)	
	ECO MODE ECO	207 W (100-130 V) / 202 W (200-240 V)	
	STANDBY (NETWORK STANDBY)	1.5 W (100-130 V) / 1.6 W (200-240 V)	
	STANDBY (NORMAL)*7	0.18 W (100-130 V) / 0.26 W (200-240 V)	
Rated input current	3.4 A-1.4 A		
Dimensions (W × H × D)	345 × 104.6 × 261 mm (Net dimensions, not including protruding parts), 450 × 200 × 390 mm (Gross dimensions)		
Weight	3.5 kg (Net weight), 5.0 kg (Gross weight, with box)		

\*1: Effective pixels are more than 99.99 %.  
 \*2: Wattage when ECO mode is OFF.  
 \*3: Time at which the light source is at half brightness; not a warranty period of product. Sometimes repair /parts replacement timing may come earlier than this.  
 \*4: This is the light output value (lumens) when the [ECO MODE] is set to [OFF] and [PRESET] is set to [HIGH-BRIGHT].  
 If any other mode is selected as the [PRESET] mode, the light output value may drop slightly.  
 \*5: Compliance with ISO21118-2012  
 \*6: Eco mode selected automatically at 35°C to 40°C.  
 \*7: Value as measured by NEC. All wired network ports are connected and active.  
 • These specifications and the product's design are subject to change without notice.

Throw Distance and Screen Size



B = Vertical distance between lens centre and screen centre  
 C = Throw distance  
 D = Vertical distance between lens centre and screen bottom (top of screen for ceiling application)  
 α = Throw angle

NOTE: The values in the tables are design values and may vary.

Screen Size	Screen width (cm)	Screen height (cm)	Throw distance C (cm)		Height D (cm)
			Wide	Tele	
30"	64.6	40.4	74.5	124.0	-4.8
40"	86.2	53.8	101.2	167.0	-6.4
60"	129.2	80.8	154.5	253.2	-9.5
80"	172.3	107.7	207.9	339.3	-12.7
100"	215.4	134.6	261.2	425.4	-15.9
120"	258.5	161.5	314.5	511.5	-19.1
150"	323.1	201.9	394.5	640.7	-23.8
180"	387.7	242.3	474.5	769.9	-28.6
200"	430.8	269.2	527.8	856.0	-31.8
240"	516.9	323.1	634.5	1028.3	-38.1
270"	581.6	363.5	714.5	1157.5	-42.9
300"	646.2	403.9	794.5	1286.7	-47.7

\*Stated projection distances are standard values from lens or mirror surface to screen centre.  
 \*The values in the table are design values and may vary.

Remote control



(included accessory)

Options



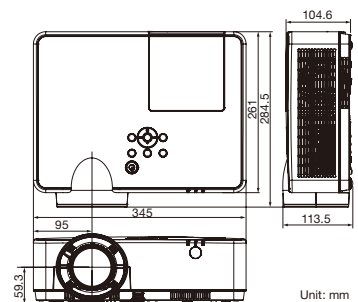
Replacement lamp NP47LP



Wireless LAN unit NP05LM1-5\*  
 Allows you to transmit data wirelessly over your network when you insert it into the USB (Wireless LAN) port.

\*The last digit may vary depending on the country of destination.

Cabinet dimensions



Unit: mm



- DO NOT STARE INTO THE LENS WHILE IN USE
- The projector can be unplugged during its cool down period after it is turned off. Parts of the projector will become heated during operation. Use caution when picking up the projector immediately after it has been operating.

MultiPresenter, Virtual Remote, NetVSet and CARBON METER are trademarks or registered trademarks of NEC Display Solutions, Ltd. in Japan and other countries.  
 The terms HDMI and HDMI High-Definition Multimedia Interface, and the HDMI Logo are trademarks or registered trademarks of HDMI Licensing Administrator, Inc. in the United States and other countries.  
 CRESTRON and CRESTRON ROOMVIEW are trademarks or registered trademarks of Crestron Electronics, Inc. in the United States and other countries. PULink is a trademark applied for trademark right in Japan, the United States of America and other countries and areas.  
 Blu-ray is a trademark of the Blu-ray Disc Association. AMX is a trademark or registered trademark of AMX LLC in the United States and other countries. Android is a trademark of Google LLC.  
 Windows is a registered trademark of Microsoft Corporation in the United States and/or other countries. OS X is a registered trademark of Apple, Inc. registered in the United States and other countries.  
 iOS is a trademark or registered trademark of Cisco in the U.S. and other countries and is used under license.  
 All other brand or product names are trademarks or registered trademarks of their respective holders.  
 The images in this brochure are samples.  
 All specifications are subject to change without notice. December 2018  
 ©2018 NEC Display Solutions, Ltd.

